

Universal Projector Mount

Aluminum Tube. Tilt and Rotate

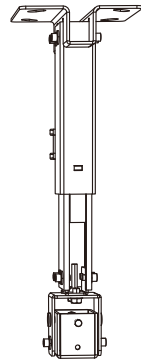
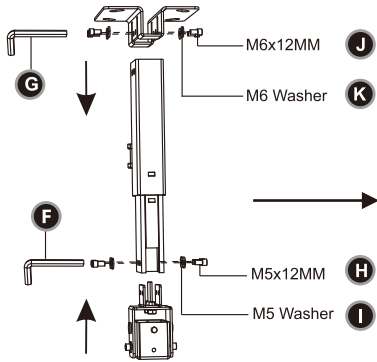
A	M4X8 X4	E	D6 X4	H	M5X12mm X6
B	D6 X4	F	D5 X1	I	D5 X6
C	M6X50 X4	G	D6 X1	J	Hexagon Screw M6 X4
D	8X40 X4			K	D6 X4

No.AR-52-010
No.AR-52-011
No.AR-52-012

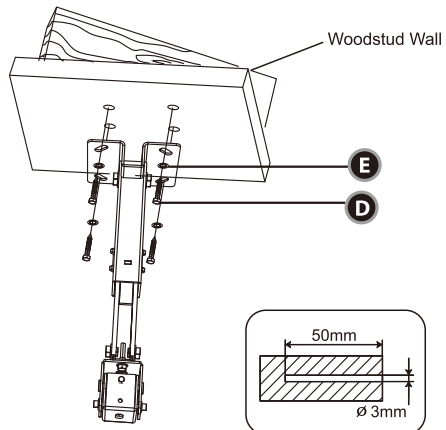
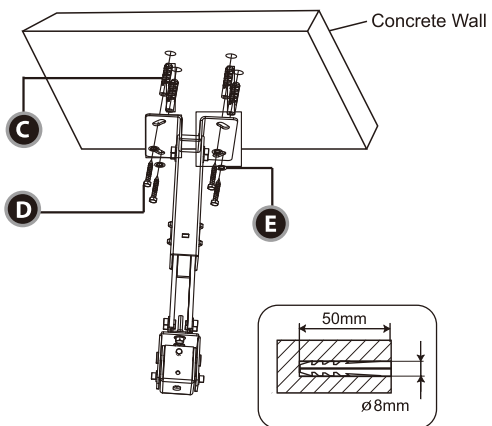
Tools Needed for Installation



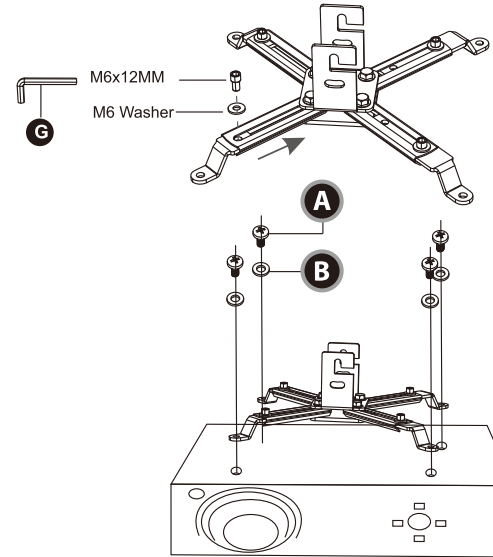
STEP 1



STEP 2

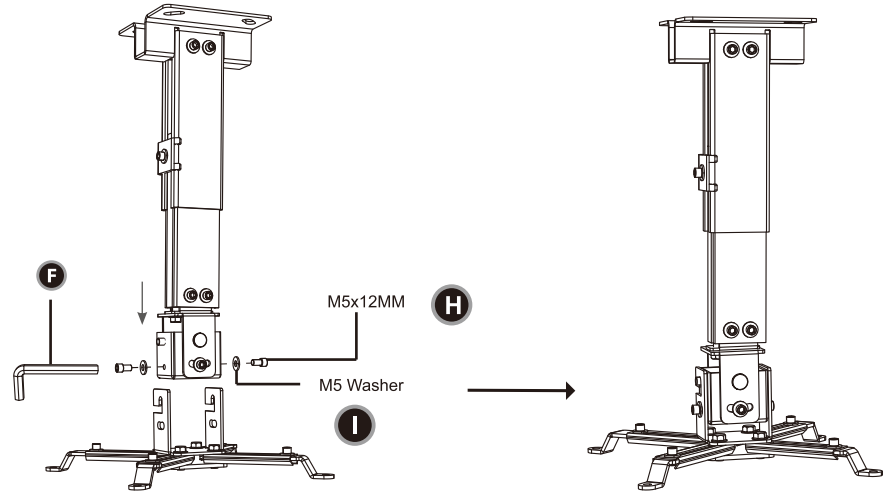


STEP 3



**22lbs.
10kg**
MAXIMUM WEIGHT CAPACITY

STEP 4



• E: aura@mayflex.com

• W: www.aura-av.com

aura